



**UL-TST3270A  
MOBILE TV STAND**

**1. Features**

UL-TST3270A Product Weight: 22kg; TV size support: 32"-70"; Height adjustment: 1130-1570mm; Maximum load 40kg; For VESA Standard: 600x400mm

**2. Hardware List**

**Important:** We are not responsible for any personal injury or product damage due to mishandling, incorrect mounting, incorrect assembly or incorrect use of this product.

**Caution:** This LCD/Plasma wall mount is intended for use with television that does not exceed the maximum weight capacity designated. Using this mount with products heavier than the maximum weight indicated may result in instability causing possible injury.

**Disclaimer  
Without Prejudice of Rights**

In order to indemnify the Supplier and / or Manufacturer please note that once this product is purchased the Client / Purchaser agrees to the following:

Should the product, in an unlikely event, fail to operate according to its purpose, Interfoto CC hereby declare to repair or replace any part of the mechanism which is found to be defective after full investigation as to the cause. In the case of defects occurring due to an external third party and / or the Client / Purchaser installing it incorrectly, misuse or overloading and / or using it for any other purpose other than that for which it was intended, neglect or damage, external parties repairing or modifying the mechanism in any way and or its spare parts, if the enclosed operating instructions were not followed, the Supplier and / or Manufacturer shall not be held liable for any damage caused to the product placed on the mechanism or wall which the mechanism is attached to or any other property, and personal injury.

Note: Proof of Purchase to be produced for any claim. This product carries ten years warranty for Manufacture faults / failures.

**IMPORTANT SAFETY INSTRUCTIONS**

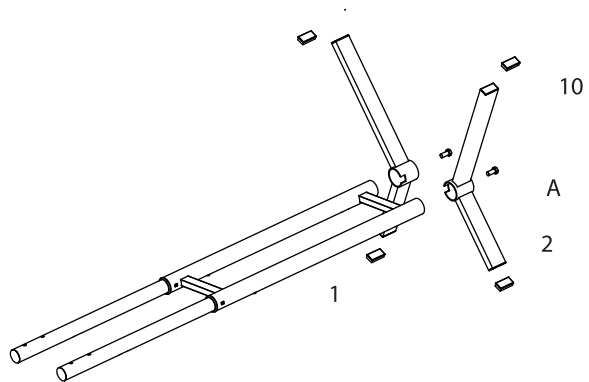
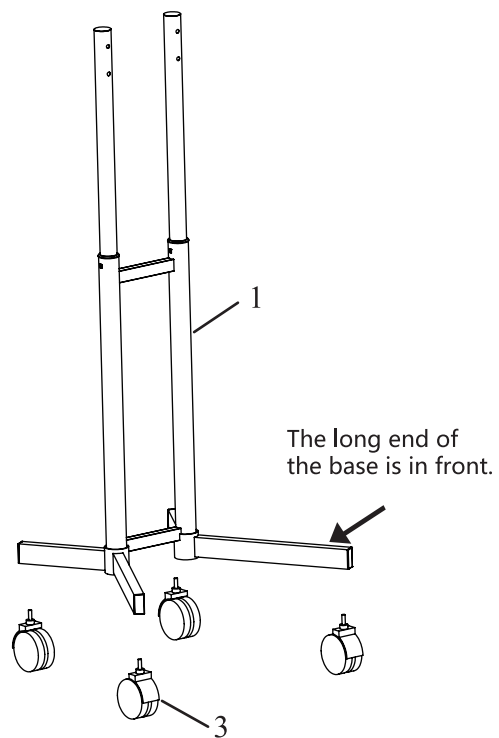
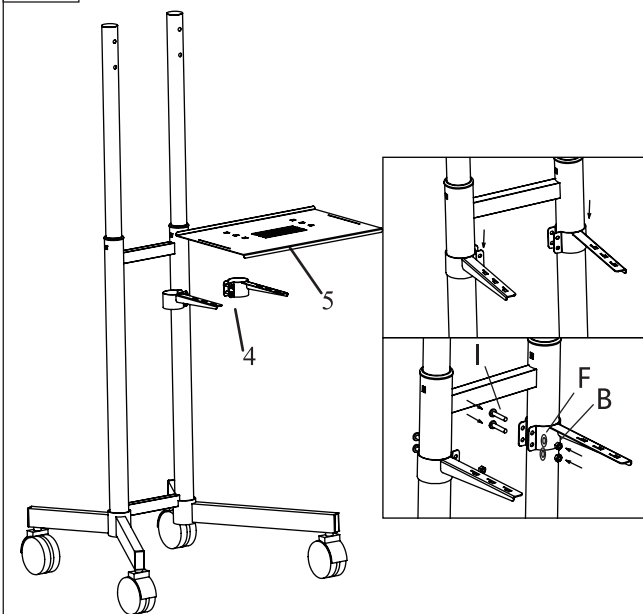
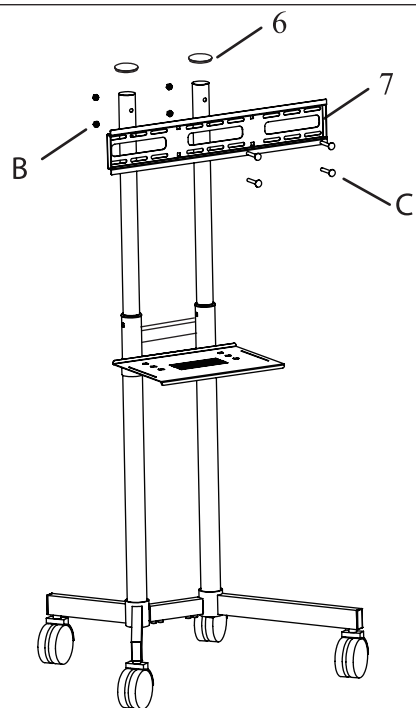
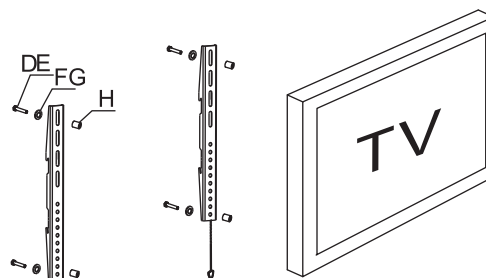
Check your TV user manual instructions to see if there are any special requirements for mounting your TV. If you do not understand these instructions or have doubts about the safety of the installation, assembly or use of this product, contact:

INTERFOTO CC  
Website: www.ultralink.co.za  
Email: service@interfoto.co.za  
Address: 362 Roan Crescent,  
Corporate Park North, Midrand  
Tel: +2786 006 1046

**TOOLS NEEDED FOR ASSEMBLY**



No.	Description	Specifications Model	Qty.
1		Circular rod	x 1
2		Base connection	x2
3		wheel	x4
4		DVD Bracket	x2
5		DVD shelf	x1
6		Plastic head	x2
7		panel	x1
8		Hanging plate 1	x1
9		Hanging plate 2	x1
10		Plastic cover	x4
A		M12 x 40 External six anglescrew	x2
B		M6 Nut	x8
C		M6 x 60 Round head screw	x4
D		M6 x 20 Round head screw	x4
E		M8 x 16 Round head screw	x4
F		Φ6 Washer	x8
G		Φ8 Washer	x4
H		Φ6 Plastic spacer	x4
I		M6 x 35 Round head screw	x4

**1****2****3****4****5****6**

Adjust the nut to balance the base. Use a wrench to tighten the upper nut, then the second nut.

