

1.Product Features

MD-F1965 Product Weight: 2.3kg; TV size support: 19"-65"; Distance to the wall: 90-412; Maximum load 30kg; For VESA Standard: 400x400mm

2.Hardware List

(the below hardware are not included in the product)

- I. 6mm spanner
- II. 10mm spanner
- III. 8mm star screw driver
- IV. 8mm star screw driver
- V. 8mm spanner
- VI. 8mm star screw driver
- VII. 6mm star screw driver

Important:The Supplier and / or Manufacturer will not be held liable for any personal injury or product damage due to mishandling, incorrect mounting, incorrect assembly or incorrect use of this product.

Note: The supplied wall mounting hardware is not for use on steel stud walls or cold cinder block walls. If you are uncertain what material your wall is constructed of or have any questions regarding the proper installation of this wall mount, contact a qualified contractor. If the hardware required is not included, please contact your local hardware store.

Caution: This wall mount is intended for use on a LCD /LED/ Plasma television that does not exceed the maximum designated weight capacity. Using this mount with products heavier than the maximum weight indicated may result in instability causing possible injury or damage.

Disclaimer

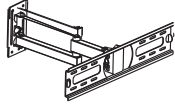















Without Prejudice of Rights

In order to indemnify the Supplier and/ or Manufacturer please note that once this product is purchased the Client/ Purchaser agrees to the following:

Should the product .in an unlikely event, fail to operate according to its purpose,Interfoto CC hereby declare to repair or replace any part of the mechanism which is found to be defective after a full investigation as to the cause. In the case of defects occurring due to an external third party and / or the Client / Purchaser installing it incorrectly, misuse or overloading and/ or using it for any other purpose other than that for which it was intended, neglect or damage, external parties repairing or modifying the mechanism in any way and or its spare parts, if the enclosed operating instructions were not followed, the Supplier and /or Manufacturer shall not be held liable for any damage caused to the product placed on the mechanism or wall which the mechanism is attached to or any other property and personal injury.

Note: Proof of purchase to be produced for any claim. This product carries a twelve year warranty for manufacture faults/failures.

Parts list

No.	Description	Specifications Model	Qty.
1		Wall Plate	x1
2		Arm	x2
3		Antenna	x1
4		Plastic cover	x2
A		M5.5x50mm Wallboard screw	x4
B		M8 Plastic screw	x4
C		M6x20mm Cross round screw	x4
D		M8x16mm Cross round screw	x4
E		M8x50mm Cross round screw	x4
F		Φ6 Washer	x4
G		Φ8 Washer	x4
H		Φ6 Plastic Spacer	x4
I		Φ8 Plastic Spacer	x4
J		M20x30 Plastic cover	x2
K		M20x40 Plastic cover	x1
L		Spirit level	x1

Important safety instructions

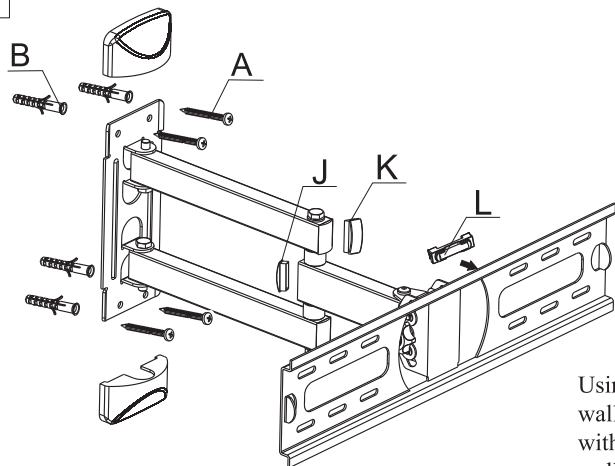
Check your TV user manual instructions to see if there are any special requirements for mounting your TV. If you do not understand these instructions or have doubts about the safety of the installation, assembly or use of this product, contact:

INTERFOTO CC

Email: service@interfoto.co.za
 Address: 362 Roan Crescent,
 Corporate Park North, Midrand
 Tel: +2786 006 1046

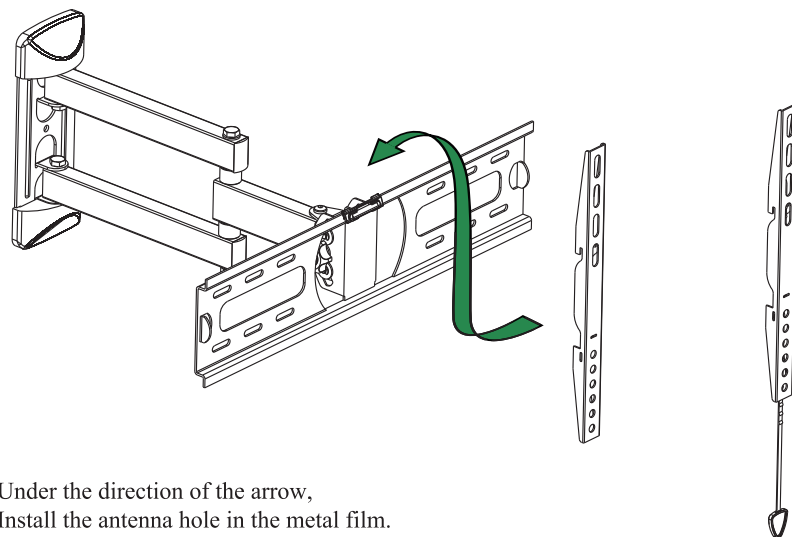
Instructions for installation

1



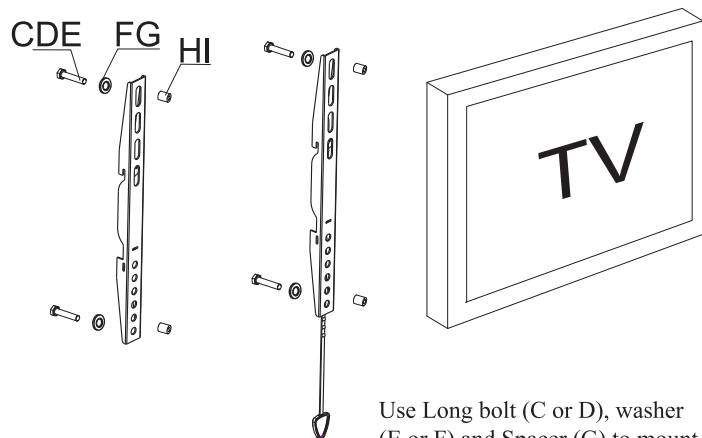
Using the bubble level to ensure the wall plate is level, Pre-drill 4 holes with a 8mm bit to 50mm deep. Insert wall anchors into the holes, then use long bolts to mount the wall to studs. Under the direction of the arrow, Fix the levels(J) on the wall plate.

3



Under the direction of the arrow, Install the antenna hole in the metal film. Hang the TV & arms on the mount

2



Use Long bolt (C or D), washer (E or F) and Spacer (G) to mount TV set to the aluminum siding.

4

