

**COMFORT SERIES**

SUITABLE FOR ABOVE EYE LEVEL VIEWING

MD-T60110

Fixed wall installation

1. Product Features:

MD-T60110 Product weight:5 kg; TV size support:60"-110"; Distance to the wall : 75mm ; Maximum load : 75 kg; For VESA standard: 800 x 600 mm

Important: The Supplier and /or Manufacturer will not be held liable for any personal injury or product damage due to mishandling, incorrect mounting, incorrect assembly or incorrect use of this product.

Note: The supplied wall mounting hardware is not for use on steel stud walls or cold cinder block walls. If you are uncertain what material your wall is constructed of or have any questions regarding the proper installation of this wall mount, contact a qualified contractor. If the hardware required is not included, please contact your local hardware store.

Caution: This LCD/Plasma wall mount is intended for use on a LCD/LED/Plasma television that does not exceed the maximum designated weight capacity. Using this mount with products heavier than the maximum weight indicated may result in instability causing possible injury.

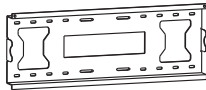






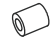



Disclaimer**Without Prejudice of Rights**

In order to indemnify the Supplier and/ or Manufacturer please note that once this product is purchased the Client/ Purchaser agrees to the following:

Should the product .in an unlikely event, fail to operate according to its purpose,Interfoto CC hereby declare to repair or replace any part of the mechanism which is found to be defective after a full investigation as to the cause. In the case of defects occurring due to an external third party and / or the Client / Purchaser installing it incorrectly, misuse or overloading and/ or using it for any other purpose other than that for which it was intended, neglect or damage, external parties repairing or modifying the mechanism in any way and or its spare parts, if the enclosed operating instructions were not followed, the Supplier and /or Manufacturer shall not be held liable for any damage caused to the product placed on the mechanism or wall which the mechanism is attached to or any other property and personal injury.

Note: Proof of purchase to be produced for any claim. This product carries a ten year warranty for manufacture faults/failures.

Parts list

No.	Description	Specifications Model	Qty.
1		Wall plate	x1
2		Plasma arm	x2
A		M6x50mm Wallboard screw	x6
B		M10 Plastic screw	x6
C		M6x20mm Cross round screw	x4
D		M8x50mm Cross round screw	x4
E		Φ8 Plastic spacer	x4
F		Φ6 Plastic spacer	x4
G		Washer	x4
H		M6x25mm Cross round screw	x2
I		Spirit Level	x1

IMPORTANT SAFETY INSTRUCTIONS

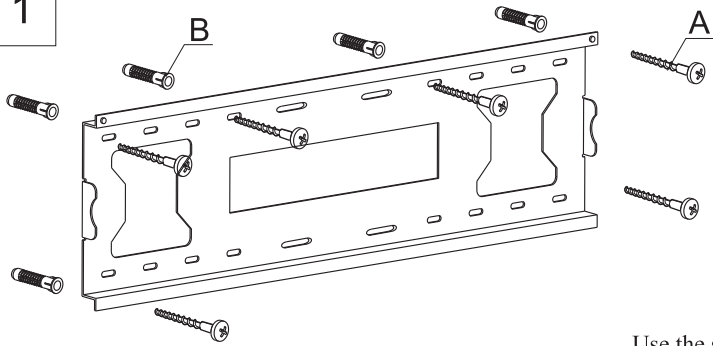
Check your TV user manual instructions to see if there are any special requirements for mounting your TV. If you do not understand these instructions or have doubts about the safety of the installation, assembly or use of this product, contact:

INTERFOTO CC

Email: service@interfoto.co.za
 Address: 362 Roan Crescent,
 Corporate Park North, Midrand
 Tel: +2786 006 1046

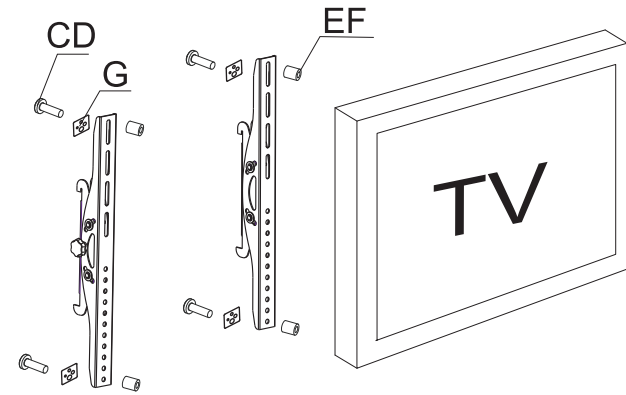
Instructions for installation

1



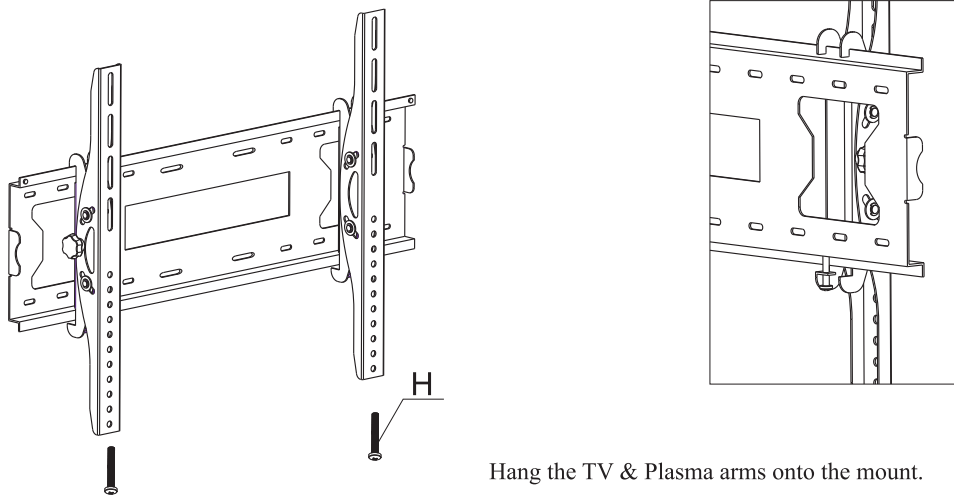
Use the spirit level to ensure the wall plate is level, then Pre-drill 6 holes with a 10mm bit (50mm deep.) Insert wall anchors (B) into the holes, then use long bolts (A) to mount the wall plate to wall.

2



Use Long bolt (C or D), washer (G) and spacer (E or F) to mount TV set to the Plasma arms.

3



Hang the TV & Plasma arms onto the mount.
Set the bar into the slot.