



## COMFORT SERIES

SUITABLE FOR ABOVE-EYE-LEVEL VIEWING

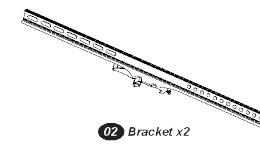
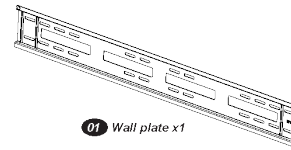
MD-T6085

Fixed wall installation

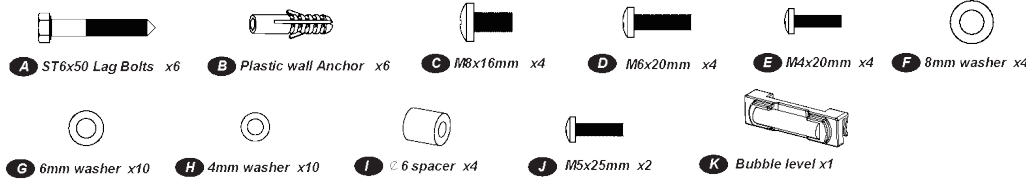
### 1. Unboxing the bracket:

- Using the Parts for assembly & Hardware diagrams, Inspect the package in order to ensure that all the parts have been provided.

### Parts for assembly



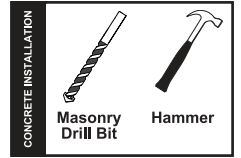
### Hardware



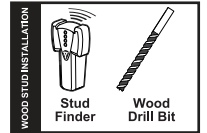
### Tools required



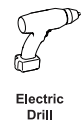
Wrench



Pencil



Screw Driver



Electric Drill



Socket Wrench

### IMPORTANT SAFETY INSTRUCTIONS

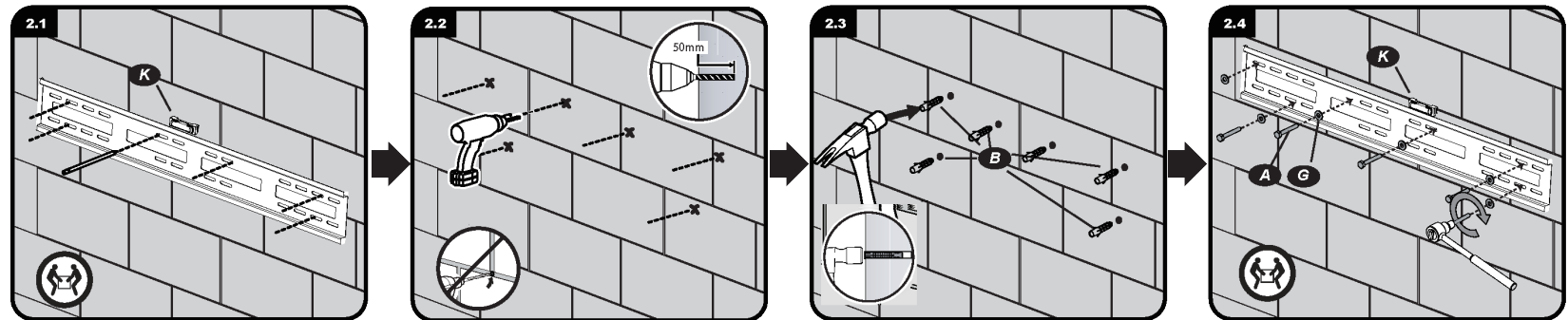
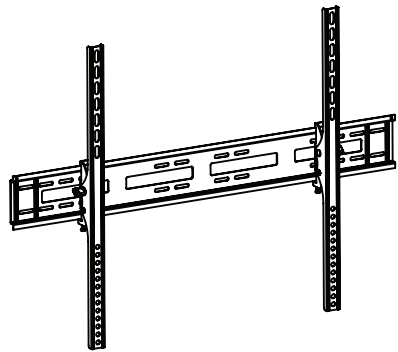
Check your TV user manual instructions to see if there are any special requirements for mounting your TV. If you do not understand these instructions or have doubts about the safety of the installation, assembly or use of this product, contact:

### INTERFOTO CC

Email: [service@interfoto.co.za](mailto:service@interfoto.co.za)  
Address: 362 Roan Crescent,  
Corporate Park North, Midrand  
Tel: +2786 006 1046

### 2. Concrete wall installation:

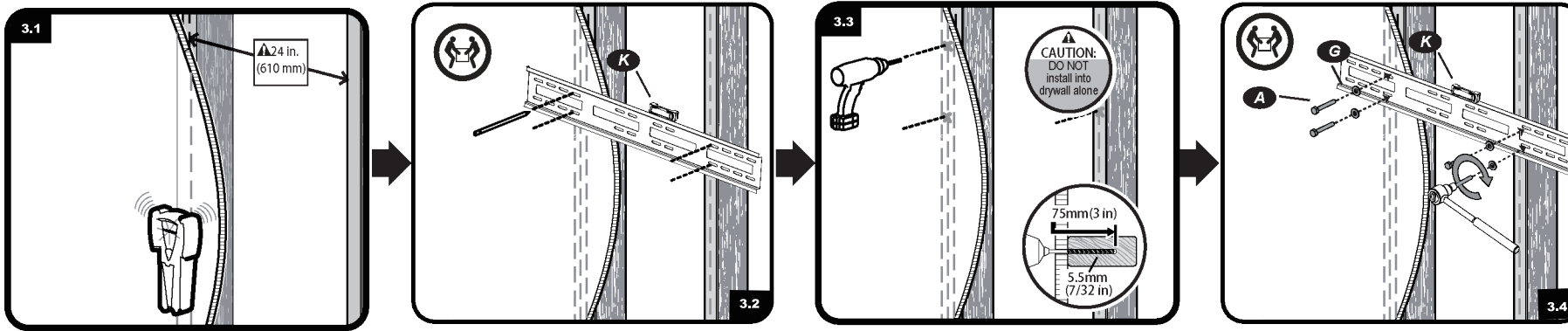
- Determine the height and positioning of the wall bracket.
- Make sure that the area you wish to mount to does not contain any water piping/internal cables.
- Draw a marking where you wish to place your bracket.



### Product Features :

TV size support:	60"-85"
Distance to the wall:	59 mm
Maximum load:	70kg
For Vesa Standard:	800 x 600

- 2.1 Hold the wall plate against your markings and place the spirit level (Hardware I) above the wall plate, adjust the wall plate until you get an accurate level then mark your 6 screw holes with a pencil.
- 2.2 Use an electric drill along with a masonry drill bit. (Mark the drill bit with a piece of coloured tape to create a 50mm mark, this will indicate how deep your wall plate hole needs to be drilled.) Then drill with a 10mm bit into the wall (50mm) to the depth of the coloured tape.
  - 2.2.1 Do not drill wall plate hole into head/bed joint concrete, drill directly onto the header side of the brick.
- 2.3 Use a hammer to insert wall anchors (B) into the holes.
- 2.4 Use long bolts (A) and a screw driver to mount the wall plate to wall. Position the wall plate and use the spirit level (Hardware I) to insure that the wall plate is leveled.



### 3. Wood wall installation:

If you are mounting to a wood wall surface, make sure that the area you wish to mount to does not contain any water piping/internal cables.

- 3.1 Use a stud detector to determine where the stud is to drill into the structure.
- 3.2 Determine the height and positioning of the wall bracket. Draw a marking where you wish to place your bracket.
- 3.3 Use an electric drill along with a 4.5mm wood drill bit (Mark the drill bit with a piece of coloured tape to the 50mm mark, this will indicate how deep your wall plate hole needs to be drilled)
- 3.4 Position the wall plate and use the spirit level (Hardware I) to insure that the wall plate is leveled.  
Use a screw driver & (Hardware A ) to screw in towards the right to tighten screws and secure the wall plate.

#### Hardware List:

(The below hardware is not included with the purchase of this product.)

- I. 6mm spanner II. 10mm spanner III. 8mm star screw driver IV. 8mm star screw driver
- V. 8mm spanner VI. 8mm star screw driver VII. 6mm star screw driver

**Important:** The Supplier and /or Manufacturer will not be held liable for any personal injury or product damage due to mishandling, incorrect mounting, incorrect assembly or incorrect use of this product.

**Note:** The supplied wall mounting hardware is not for use on steel stud walls or cold cinder block walls. If you are uncertain what material your wall is constructed of or have any questions regarding the proper installation of this wall mount, contact a qualified contractor. If the hardware required is not included, please contact your local hardware store.

#### Caution:

This LCD/Plasma wall mount is intended for use on a LCD/LED/Plasma television that does not exceed the maximum designated weight capacity. Using this mount with products heavier than the maximum weight indicated may result in instability causing possible injury.

#### Disclaimer

##### Without Prejudice of Rights

In order to indemnify the Supplier and/ or Manufacturer please note that once this product is purchased the Client/ Purchaser agrees to the following:

Should the product .in an unlikely event, fail to operate according to its purpose, Interfoto CC hereby declare to repair or replace any part of the mechanism which is found to be defective after a full investigation as to the cause. In the case of defects occurring due to an external third party and / or the Client / Purchaser installing it incorrectly, misuse or overloading and/ or using it for any other purpose other than that for which it was intended, neglect or damage, external parties repairing or modifying the mechanism in any way and or its spare parts, if the enclosed operating instructions were not followed, the Supplier and /or Manufacturer shall not be held liable for any damage caused to the product placed on the mechanism or wall which the mechanism is attached to or any other property and personal injury.

**Note:** Proof of purchase to be produced for any claim. This product carries a twelve year warranty for manufacture faults/failures.

Attach the bracket to TV.

